

Operating Manual

Fan

RV 550



Perfection is our aim.



EC – Declaration of Conformity

in sense of EC machine directive 2006 / 42 / EWG

Type of the machine

Fan

Description:

RV 550

is designed, constructed and manufactured in accordance with the above-mentioned directive and low voltage-directive 2006 / 95 EWG.

The following harmonized standards have been used:

- EN 60335-1 Safety of electrical machines
- EN 60335-2 Safety of electrical machines

Mönchengladbach,
12.06.2013

Place, Date



Signature

Managing Director

Title

Introduction

This manual describes the handling of the Wilms Fans.

Attention!!!

It is the responsibility of the operator to read and understand this service manual and to use the correct operation procedure.

Read the entire manual before the initial start-up of the machine. It is important to know the correct operating procedure for the unit and all safety precautions to prevent the possibility of property damage and/or personal injuries.

Contents:

The service manual covers the following topics:

Topic	Page
EC-Declaration Of Conformity	1
Introduction	2
General	3
Safety Instructions	4
Service Guide	5
Maintenance	5
Technical Information	5
Start and Manual Reset	6
Cleaning	6
Trouble Shooting	7
Spare Part List RV 550	8
Diagram RV 550	9

General:

- Introduction:** This section will give you a description of the machine and the function.
- Target Group:** The target group for this service manual is the technicians who install, maintain and exchange parts on the units.
- Copyright:** Copying of this service manual, or part of it, is forbidden without prior written permission from Hans Wilms GmbH & Co. KG - Erftrasse 34 - 41 238 Mönchengladbach.
- Reservations:** Hans Wilms GmbH & Co. KG reserves the right to make changes and alterations to the product and the service manual at any time without prior notice or obligation.

Safety Instructions!

All appliances have been checked for material, function and quality before delivery.

The appliances may nevertheless cause harm if they are used by nonauthorized persons in an inappropriate way, or if they are used not in accordance with this manual.

The following notes are strictly to be observed:

1. The appliances must not be operated in rooms where there is danger of explosion.
2. The appliances must not be operated in rooms where the air contains oil, sulphur, chlorine or salt.
3. The appliances must not come into direct contact with water. - **Increased electrical hazard!!!**
4. The air intake and air outlet must always be kept clear.
5. When operating the appliances must not be covered.
6. Never place any object into the appliances.
7. When operating the appliances must not be transported.
8. All electrical cables outside of the appliances must be protected against damage.
9. The unit should never be serviced or cleaned while it is plugged into live electrical power source.

Warning: Ignoring these safety precautions may result in serious personal injury !!!

Operating instructions:

Inspect your unit upon receipt for any freight damages in order to avoid later claims.

Be sure to keep all original packaging. Original packaging will help to protect unit from freight damage upon return.

If you discover any damages during inspection, please contact:
Hans Wilms GmbH & Co. KG - Erftrasse 34 - 41 238 Mönchengladbach.

The unit is ready to be put in service immediately, connect the plug with the socket.

Place the unit on the ground or on a very stable platform.
Plug the unit into a grounded alternating current circuit and switch the unit on.

Maintenance

Disconnect the unit from the power supply before cleaning or servicing.

Before each use the unit should be inspected for damage, clogged inlet or outlet, or any excess build-up of foreign material.

When the unit is first turned on, check for excessive vibration, which could indicate a major problem. If the unit vibrates, it must be carefully checked.

Technical Data:

Type	RV 550
Voltage	230 V ~
Frequency	50 Hz
Motor	0,05 kW
Current	0,23 A
Levels	1
m ³ /h	400 m ³
Height mm	295 mm
Width mm	250 mm
Length mm	270 mm
Weight/kg	3,5 kg
Noise level (EN ISO 11201)	56 dB (A)

START:

1. Ensure the control switch is set to the OFF position before connecting the power supply.
2. Connect the mains plug to a suitable 230 V – 50 Hz supply.
3. Switch to requested position.

MANUAL RESET:

1. Switch to the OFF position.
2. Remove the plug from the mains socket outlet, but do not pull out the cable.

CLEANING:

1. Before cleaning turn the unit off and unplug from the power supply.
2. To clean the machine use a soft cloth to wipe off any dust.
3. If very dirty use a damp cloth and wipe dry. Do not use any cleaning detergents, sprays or other chemicals – as they will damage the unit.
4. Store the unit in a ventilated dry area when not in use.

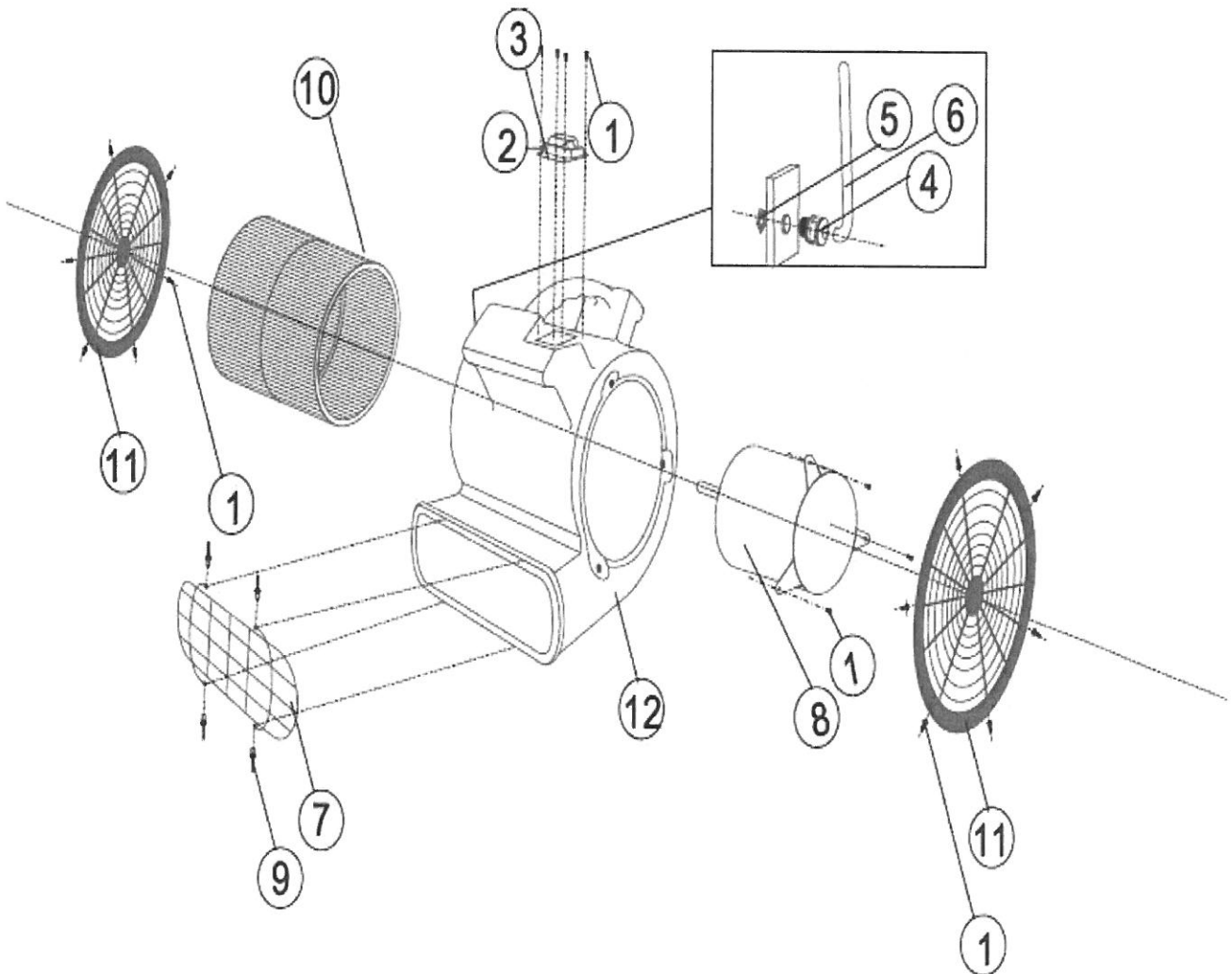


All maintenance work listed below must be carried out when the power is switched off resp. when the plug is disconnected.

Trouble Shooting		
Fault	Reason	Solution
Motor does not start.	<ol style="list-style-type: none">1. No power to the machine.2. Switch not on position „on“.3. Blower or Air inlet- or Air outlet blocked.4. Switch is defective.5. Wiring loose.	<ol style="list-style-type: none">1. Connect machine properly. Check fuse.2. Set switch to position „ON“.3. Remove blockage.4. Replace switch.5. Tighten the wiring.
Motor runs, but wheel turns irregularly or triggers.	<ol style="list-style-type: none">1. Wheel sticks.	<ol style="list-style-type: none">1. Remove motor, repair or replace twisted motor mounting.
Machine vibrates excessively.	<ol style="list-style-type: none">1. Dirt accumulation on the wheel.2. Unbalance of the fan blade.3. Fan blade bent.4. Motor shaft bent.	<ol style="list-style-type: none">1. Clean wheel.2. Balance or replace the fan blade.3. Replace the fan blade.4. Replace motor.

Spare Part List RV 550

<u>Pos.</u>	<u>Order-No.</u>	<u>DESCRIPTION</u>	<u>Qty.</u>
1	8003150	Screw	9
2	8003151	On-/Off-Switch	1
3	8003152	Cap for On-/Off-Switch	1
4	8003153	Strain Relief Bushing	1
5	8003154	Nut	1
6	8003155	Power Cable	1
7	8003156	Front Grid – Air Outlet	1
8	8003157	Motor	1
9	8003158	Rivet	4
10	8003159	Fan Wheel	1
11	8003160	Protection Grid – Suction Side	2
12	8003161	Housing	1
13	8003162	Foot (without fig.)	4



DRAWING

RV 550

